

Paint Wizard Pro

Instructions

Just Fill and Paint!

Thank you for your purchase of the Paint Wizard Pro. We are absolutely sure you will be completely satisfied with your purchase.

PREPARATION:

Prepare the surface:

It's always best to paint on a fully prepared, clean surface. Make sure all wallpaper glue and other such substances are removed from painting surface.

Prepare the paint:

Properly mix paint prior to pouring it into the Paint Wizard Pro. Paints come in all different consistencies, depending upon manufacturer, finish, etc. Paint Wizard Pro works best with paint that is of the proper consistency (if paint is too thin, it will result in dripping, too thick and it will take longer to soak roller). If you believe the paint is too 'thick', please read the paint can instructions for thinning, or contact paint manufacturer for further instructions. For most latex paints, simply adding tap water (at very small intervals) and thoroughly mixing will do the job.

Prepare your work area:

A clean work area is a safer work area. Pick up objects that might get in the way while painting. There is a chance paint may spray or drip off roller. **Thoroughly cover all floors, carpet, furniture and any other object you wish to protect from paint.**

Filling Roller: (Illustration A)

Your Paint Wizard Pro comes fully assembled. To fill, remove screw cap from one end of roller only. Make sure other screw cap is securely fastened. Hold roller in vertical position, with open end facing up. Slowly pour paint into roller. Securely fasten screw cap.

Using the Pole (if Deluxe unit was purchased):

Your Paint Wizard Pro Deluxe comes with a double length pole, comprised of two extensions. You may use one or both, as needed, to reach high and extended areas when painting. **Be careful not to place excessive pressure on pole when in use.**

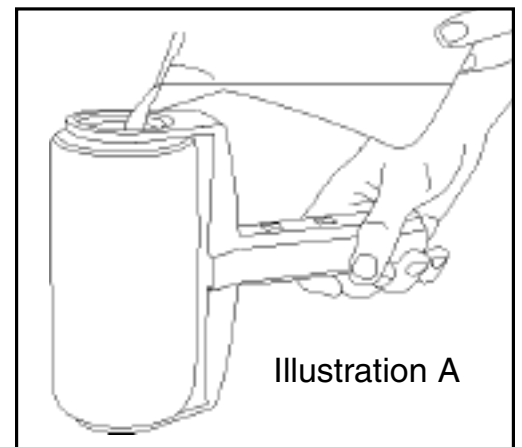
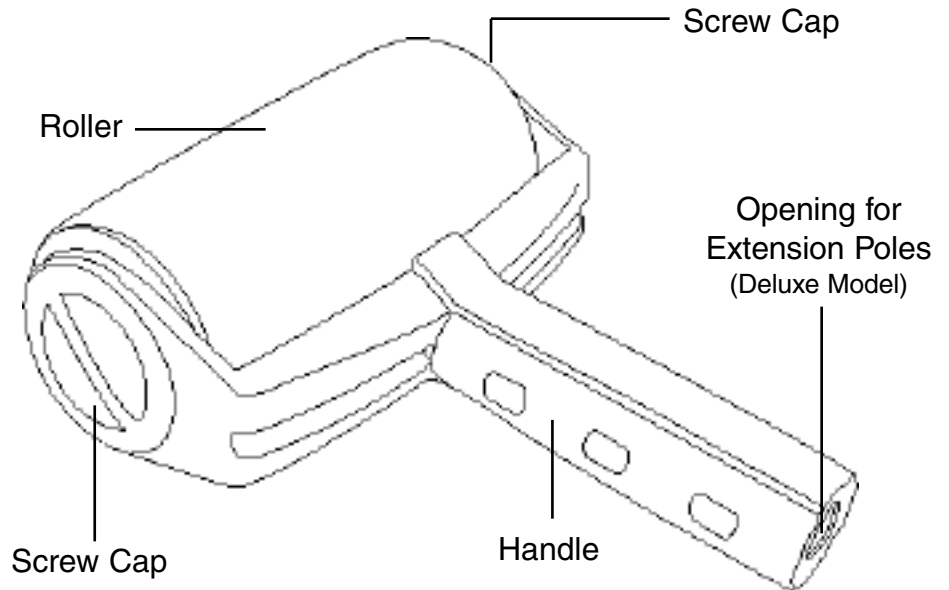
Replacing the Roller:

Assure that no paint is inside roller. If so, remove all paint first. Remove both screw caps. This will free the roller from handle. Carefully remove old or used roller (remember, rollers may be washed and cleaned!). Place new roller into handle and securely fasten two screw caps, one on each side.

GETTING STARTED:

Here are some tips on how to get the most out of your Paint Wizard Pro. Please note, proper adherence to these recommendations will extend the life of the product and help avoid injury and damage. Manufacturer is not responsible for damage caused by misuse or mishandling of the roller. Always wipe away excess paint on plastic, moving parts of handle and roller, as accumulated and dried paint on moving parts will hinder performance.

Please allow one to two minutes for filled roller to become thoroughly soaked with paint. For best results, roll lightly over surface to be painted until paint appears to be evenly distributed over roller.



PAINTING:

Use even, light strokes:

This product is designed to help you apply an even, consistent coat. A few passes over an area may be necessary. Do not apply too much pressure on the roller. Lightly rolling the applicator over a surface allows for maximum paint absorption to the applicator and delivers best results. Quick, hard passes over a surface may hinder performance. Use light, slow, even strokes. The roller that comes with Paint Wizard Pro is intended for use on smooth and textured surfaces. Don't be afraid to go over one spot a few times.

Use an X-Shaped rolling method for best results: (Illustration B)

This method assures overlap of strokes and makes for even, smooth application.

Second Coat:

The first coat will be thin and may show variances in paint shade. This is normal. The second coat will cover these imperfections, and create an even, full cover of paint. If necessary, apply a third coat.

When not in use:

Never leave filled roller unattended. It is recommended that a filled roller not in use always be emptied and cleaned. However, if you do

have short intervals of time whereby the filled roller is resting, check to see that it is not leaking and place roller on enclosed tray. A resting, filled roller will begin to seep and paint will eventually drain out of roller.

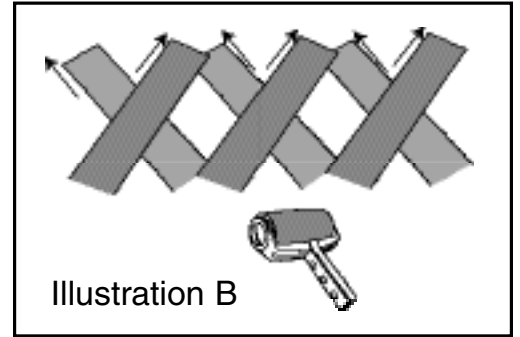
An inside tip on keeping the roller moist during resting periods is to cover it with plastic wrap or encase it in a plastic bag, otherwise paint left on roller will start to dry quickly.

CLEANING UP:

Improper cleaning may cause permanent damage to roller. Do not let a roller dry with paint inside roller or on roller.

Remove one screw cap and pour all paint out of the roller when finished painting. To clean out roller, simply unscrew both screw caps, remove from handle and rinse under warm water. Run water through and over roller, squeezing it out until water runs clean through the roller – until no paint runs out. The resting tray can also be used to help clean the roller more thoroughly by running it up and down the ridged portion of the tray, while under warm water. Be sure to clean all moving parts as thoroughly as possible.

You may also soak the roller in water overnight and simply rinse it out thoroughly in the morning.



© 2008 Ideavillage

Distributed by:



Wayne, NJ 07470